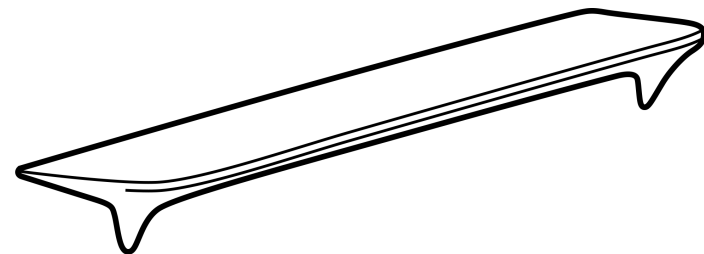


IBK-5001
IBK-5001-1
IBK-5001-2

itatsi

🌐 ENG.



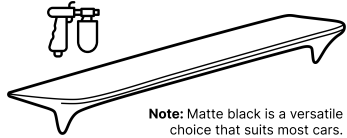
Trunk Spoiler

For BMW e46



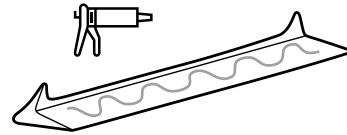
1. Prepare the Spoiler

- Sand the spoiler with **400-grit dry sandpaper** for a smooth surface.
- Apply a **4:1** or **5:1 primer** for the best results before painting.
- For best results, a **professional paint job** is recommended.



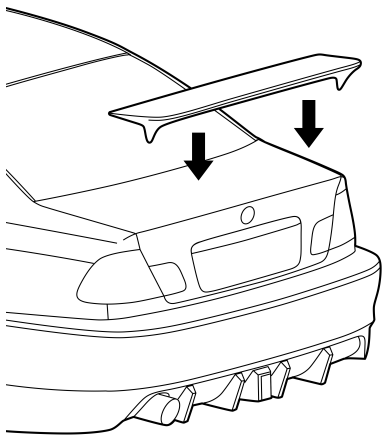
2. Clean and Apply Glue

- Clean the **trunk** and the **spoiler's contact area** with alcohol or a cleaning solution. Ensure surfaces are dry.
- Apply adhesive evenly on the spoiler's bottom surface. Follow the glue **manufacturer's instructions**.



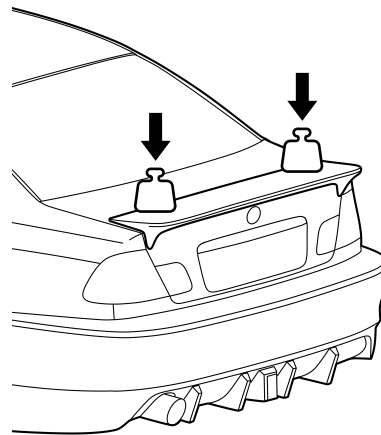
3. Attach the Spoiler

- Align the spoiler on the trunk carefully and press it firmly into place.



4. Secure the Spoiler

- To secure the spoiler while the adhesive cures, place **weights** on top (e.g., books or other non-damaging items).



Note: Allow the glue to cure completely before driving.

5. Hit the Road in Style!

- Once the adhesive has fully cured, remove the weights and enjoy your car's sleek new look with the trunk spoiler installed!

